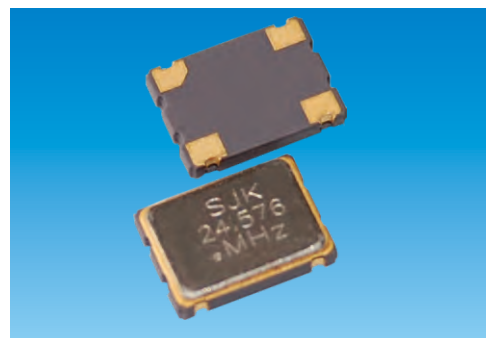


Features

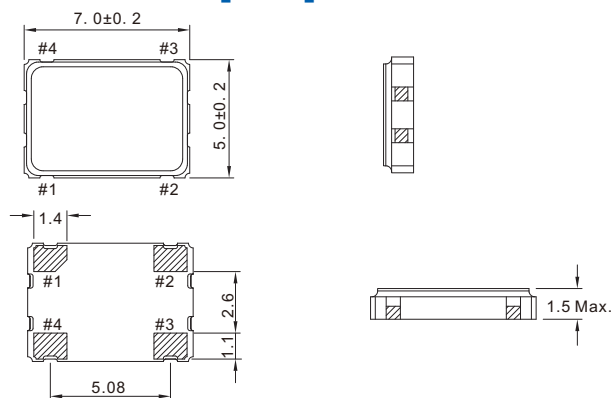
- Broad frequency range from 1.544MHz to 150MHz.
- Compact and thin ceramic package with a medalist for surface mounting and automatically loaded.
- Reflow soldering is possible.
- Low noise and current with reduced power consumption.
- Built-in CMOS IC with tristate function.
- 5V and 3.3V supply model available.



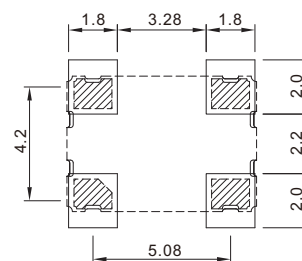
Electrical Specifications

Parameters	Condition	Model	6NC1	6NC2	6NC3	6NC4
Output Type			TTL/CMOS	CMOS	TTL	TTL
Supply Voltage			5V	3.3V	5V	3.3V
Frequency Range			1.544MHz to 150MHz			
Operating Temperature Range			-10°C~+70°C, -20°C~+70°C, -40°C~+85°C			
Input Current	Frequency Range		1.544~31.999MHz 35mA max (15pF) 40mA max (50pF) 32~150MHz 45mA max (15pF) 55mA max (50pF)	1.544~31.999MHz 25mA max 32~150MHz 40mA max	1.544~31.999MHz 30mA max 32~150MHz 45mA max	1.544~31.999MHz 25mA max 32~150MHz 40mA max (15pF)
Frequency stability	All Conditions		±25ppm, ±50ppm, ±100ppm			
Symmetry	AT ½ Vdd		40/60%			
Output Voltage	Vol(Max)		0.4V / 0.5V	0.33V	0.5V	0.33V
	Voh(Min)		2.4V / 4.5V	2.97V	4.5V	2.97V
Rise/Fall Time	AT0.1Vod~0.9Vod		10 ns Max.			
Driving Ability	10 LSTTL Load Max				15pF	15pF
	CMOS Load Max		15pF/50pF	15pF		
	TTL Load Max		10TTL			
Start-up Time	Load Range		10 ms Max.			
E/D Function	Pin#1 Open		Pin#3 Active			
	Pin#1 >= 2.2V		Pin#3 Active			
	Pin#1 <= 0.8V		Pin#3 Active			
PAD Connection			Pin#1 E/D		Pin#3 OUT	
			Pin#2 GND		Pin#4 Vdd	

Dimensions [mm]



Recommended Land Pattern (Top View)



PAD Function:
 1: Enable Control
 2: GND
 3: Out
 4: Vdd

SJK-6NC2	48.000	50	B
6NC1 6NC2 6NC3 6NC4	Frequency e.g: 48.000:48.000 MHz	Frequency tolerance e.g: 50:±50ppm	Operating temperature range: A: -10~+70°C B: -20~+70°C C: -40~+85°C