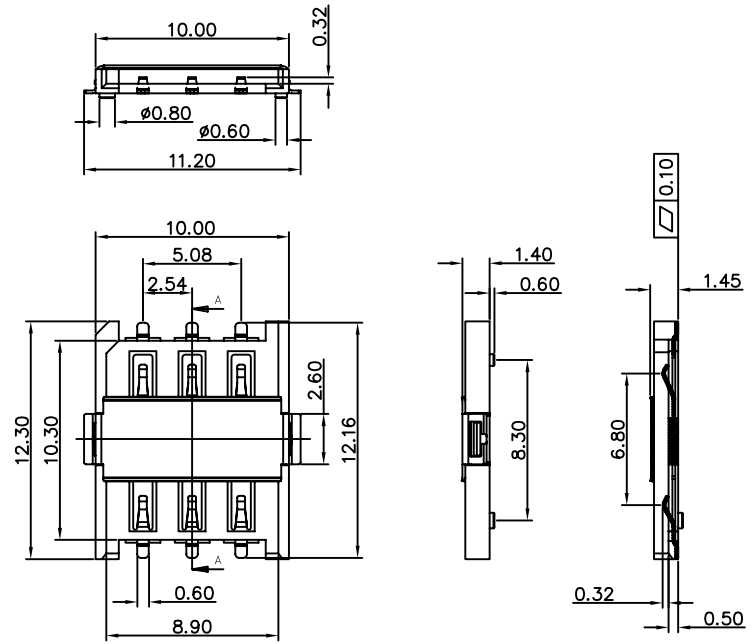
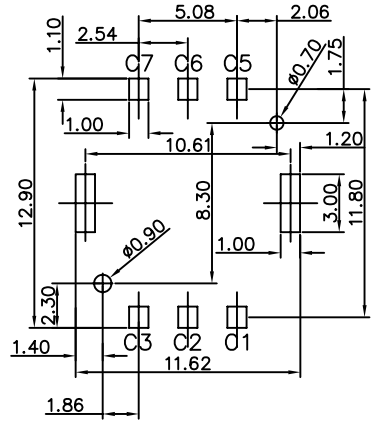


REV.	DATE	ECN NO.	MODIFICATION	APPROVER
A	2015/08/24	/	NEW	Vicky



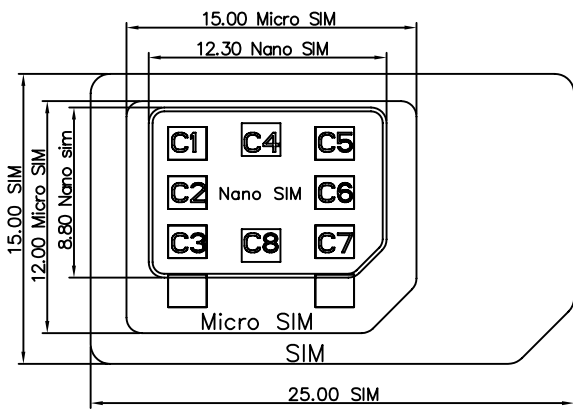
SECTION: A-A



RECOMMENDED PCB LAYOUT  
GENERAL TOLERANCE ±0.05

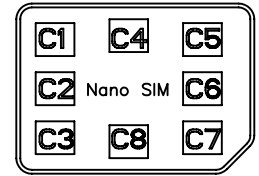
Notes:

- Material:  
Housing: LCP 30%GF, UL94V-0, Black  
Contact : Phosphor Bronze, T=0.15mm  
Shell: SUS304-H, T=0.15mm
- Plating:  
Contact:  
Contact Area: 3U" GOLD PLATED  
Solder Area: G/F Gold  
Underplating: Ni overall 50u" Min.  
Shell:  
Solder Area: G/F Gold  
Underplating: Ni overall 50u"
- Mechanical:  
Life cycles: 5000.
- Electrical:  
Voltage Rating: 30V AC RMS  
Current Rating: 0.5A AC RMS Max  
Operating Temperature: -20°C to +80°C  
Dielectric Withstanding Voltage: 100V AC (60Sec Min)  
Insulation Resistance: 100MΩ Min  
Contact Resistance: 30mΩ Max



Nano SIM Card  
REFERENCE DATA

- C1 --> VCC
- C2 --> RST
- C3 --> CLK
- C5 --> GND
- C6 --> VPP
- C7 --> I/O



GENERAL TOLERANCE		UNITS	NAME:	SIM CARD		ATOM <sup>®</sup> 深圳市爱特姆科技有限公司 SHENZHEN ATOM TECHNOLOGY CO., LTD.	
SELECT	✓	mm	PART NO:	SI37C-08200		TITLE: NANO SIM CARD 6P SMT H=1.4mm 带定位柱 新款	
ON.	TOL.	MAT'L	APPD:	Vicky		DWG NO. ATOM-A02700	
X.XXX	±0.10	FINISH	CHKD:	Doris		SCALE SHEET REV	
X.XX	±0.20	Q'TY	DR:	Cmy		1:1 1/1 A	
X.X	±0.30						
X.							
ANGLE	±2'						