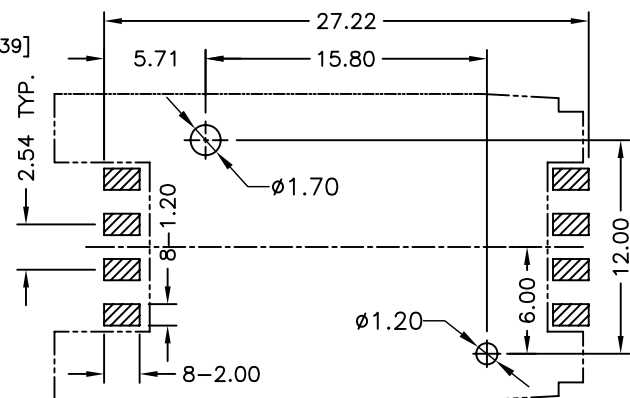
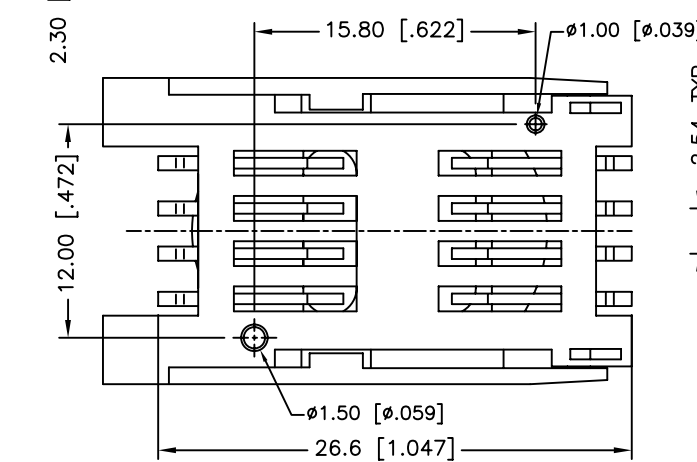
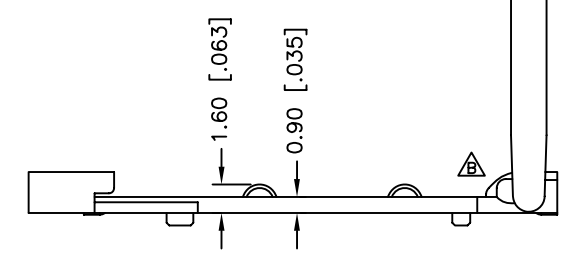
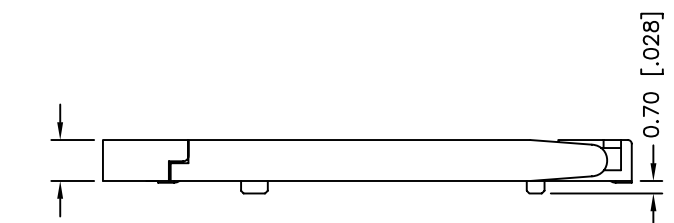
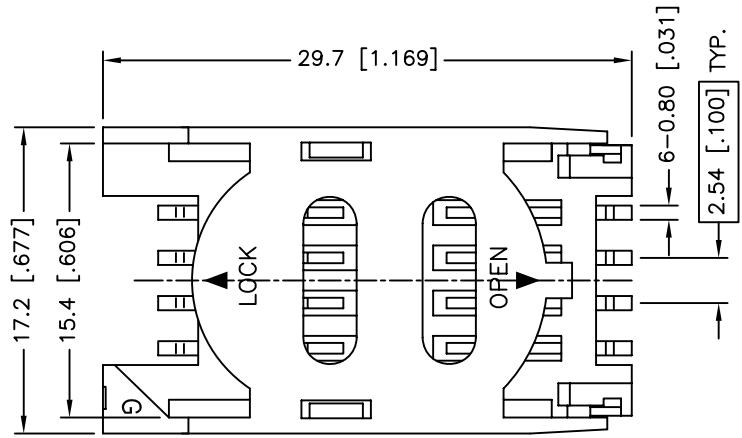


REV.	DESCRIPTION	DATE
A	RELEASE	Jul 18,2006
B	06'1233	Dec 29,2006



RECOMMEND P.C.B. LAYOUT  
TOLERANCE ± 0.05  
TOP VIEW

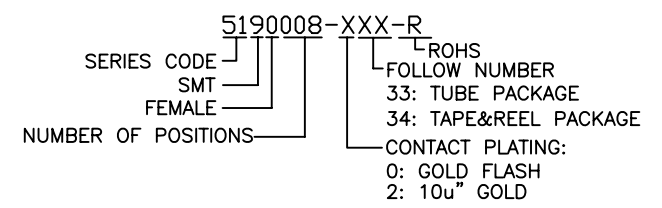
### MATERIALS

- HOUSING : HI.-TEMP. PLASTIC (UL 94V-0), BLACK.
- COVER : HI.-TEMP. PLASTIC (UL 94V-0), BLACK.
- TERMINAL : COPPER ALLOY(t=0.20mm), GOLD PLATED ON CONTACT AREA, TIN PLATED ON SOLDER TAILS.

### SPECIFICATION

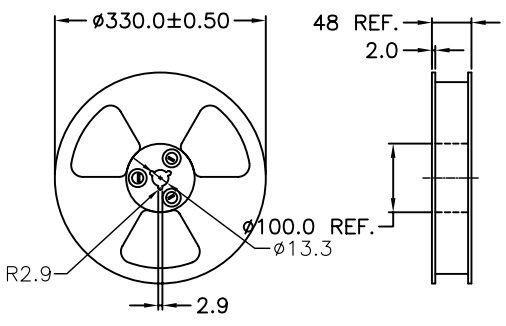
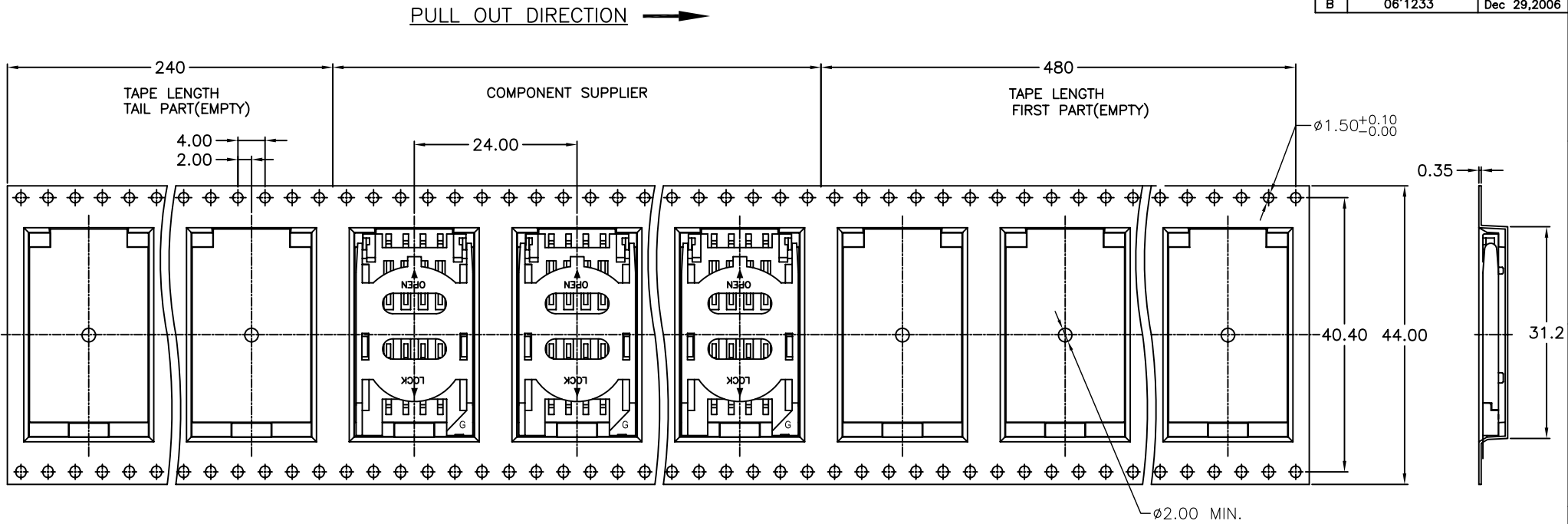
- CURRENT RATING : 1.0 A. MAX.
- DIELECTRIC WITHSTANDING VOLTAGE : 500V AC R.M.S. FOR ONE MINUTE.
- INSULATION RESISTANCE : 1000MΩ MIN. AT 500V DC.
- CONTACT RESISTANCE : 30mΩ MAX.
- OPERATING TEMPERATURE : -40°C TO +85°C.

### ORDER INFORMATION:

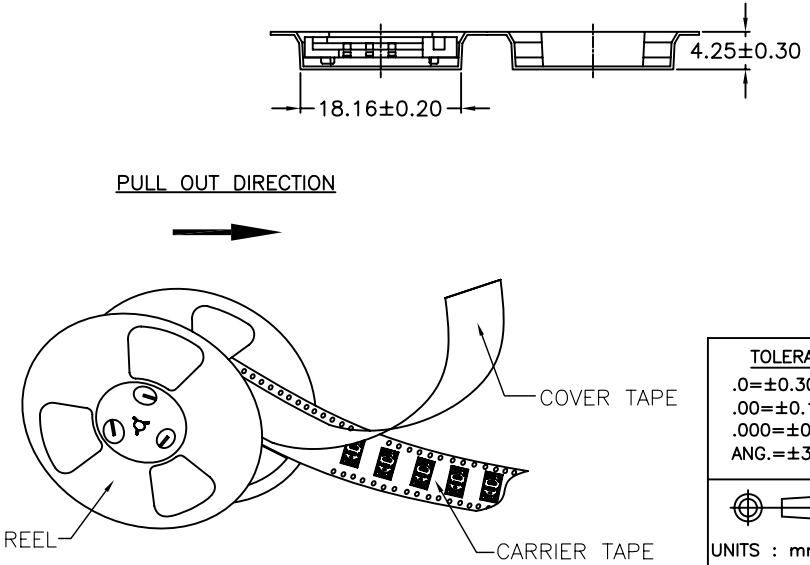


TOLERANCE .0=±.25 [.010] .00=±.15 [.006] .000=±.05 [.002] .0000=±. ANG.=±3°		DRAWER <i>yum</i>		 ASTRON TECHNOLOGY CORP.
CHECK <i>Eric</i>		APP'D <i>Wisely</i>		
 UNITS : mm [inch]		PRODUCT SPEC.		NAME 2.54PH SIM CARD SMT 8PIN (ROHS)
SCALE NONE	SIZE A4	SHEET 1 OF 2	REV. B	DRAW NO. R5190008-X33(4)-R

REV.	DESCRIPTION	DATE
A	RELEASE	Jul 18,2006
B	06'1233	Dec 29,2006



REEL FOR CARRIER TAPE



**TAPE & REEL PACKAGE :**

**MATERIALS**

1. CARRIER TAPE: POLYSTYREN (PS)
2. COVER TAPE: POLYSTYREN (PS)
3. REEL: POLYSTYREN (PS)

**QUANTITY**

1. 650PCS PER REEL
2. 6 REEL PER CARTON(3900PCS PER CARTON)

TOLERANCE	
.0= $\pm 0.30$	
.00= $\pm 0.10$	
.000= $\pm 0.05$	
ANG.= $\pm 3^\circ$	

DRAWER <i>yun</i>
CHECK <i>Eric</i>
APP'D <i>Wisely</i>
PRODUCT SPEC. —
UNITS : mm [inch]
SCALE NONE
SIZE A4
SHEET 2 OF 2
REV. B

<b>Astron</b>	
ASTRON TECHNOLOGY CORP.	
NAME 2.54PH SIM CARD SMT 6PIN (ROHS)	
DRAW NO. R5190008-X33(4)-R	